

Nissan 4Cyl 1Coil 5V Hall Wanos

Harness Required: E03 Ver 1.0 & E02 Ver 1.0

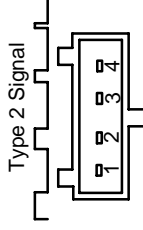
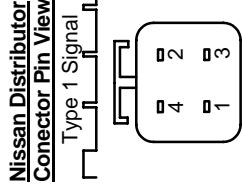
Last Changed: 02/06/2008

Drawing Ver: 1.0

Ign+ Ignition Power
Earth

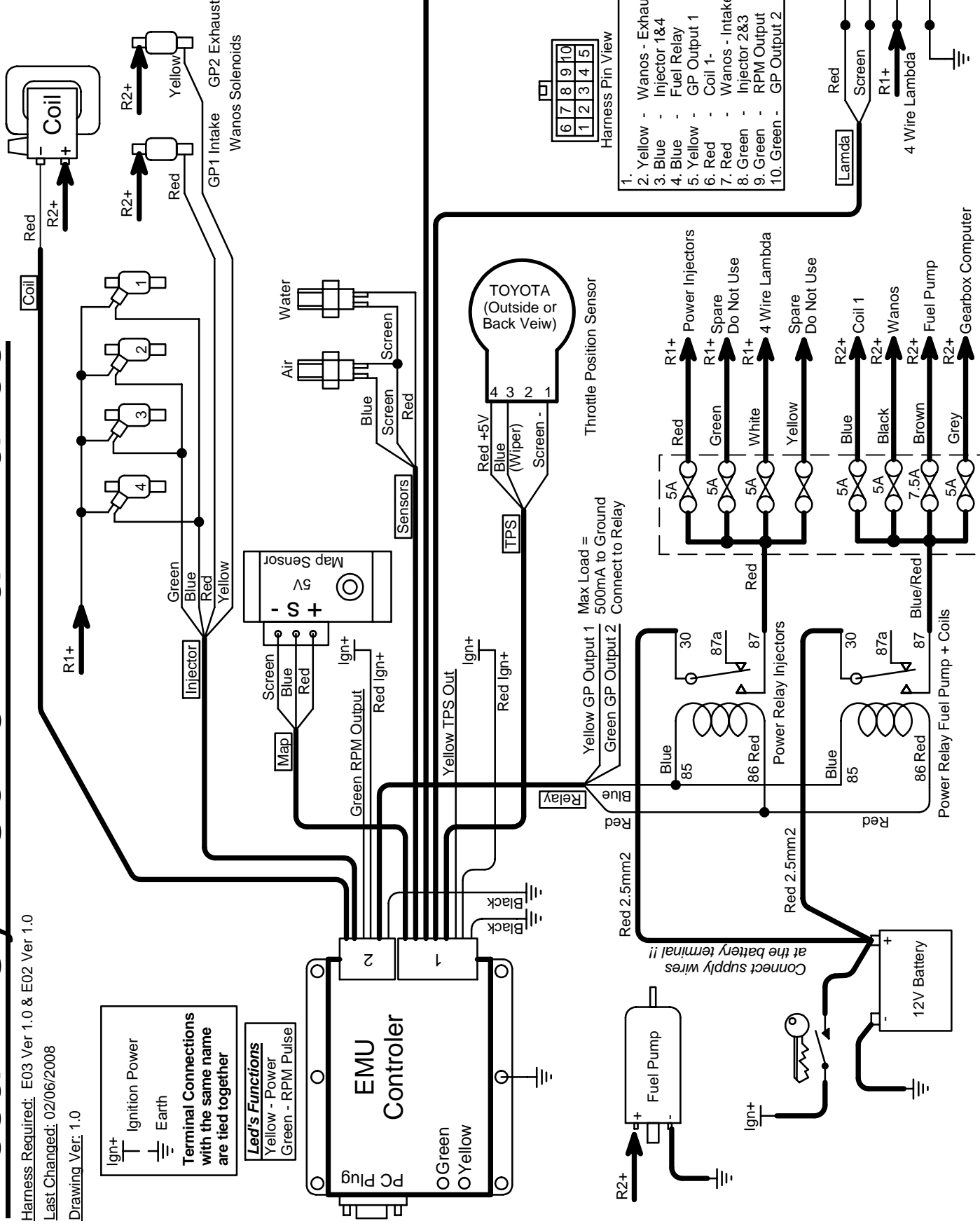
Terminal Connections with the same name are tied together

Led's Functions
Yellow - Power
Green - RPM Pulse



Optic / Hall Pickup

Harness	Description
1. Screen	Earth
2. Red	+12V
3.	Degrees Pulse
4. Blue	Slot Fire Pulse



Harness Pin View

6	7	8	9	10
1	2	3	4	5

1. Yellow	-	Wanos - Exhaust
2. Blue	-	Wanos - Injector 1&4
3. Blue	-	Fuel Relay
4. Blue	-	GP Output 1
5. Yellow	-	Coil 1-
6. Red	-	Wanos - Intake
7. Red	-	Injector 2&3
8. Green	-	RPM Output
9. Green	-	GP Output 2
10. Green	-	GP Output 2

Harness Pin View

7	8	9	10	11	12
1	2	3	4	5	6

1. Blue	-	Air Temp Sensor
2. Blue	-	TPS Sensor
3. Blue	-	Map Sensor
4.	-	Input Spare
5.	-	Hall Input 2
6. Blue	-	Hall Input 1
7. Red	-	Water Temp Sensor
8. Red	-	Lambda Sensor
9. Red	-	+5V Output
10. Red	-	+12V Ign Input
11.	-	Magnetic Input 2+
12.	-	Magnetic Input 1+

